



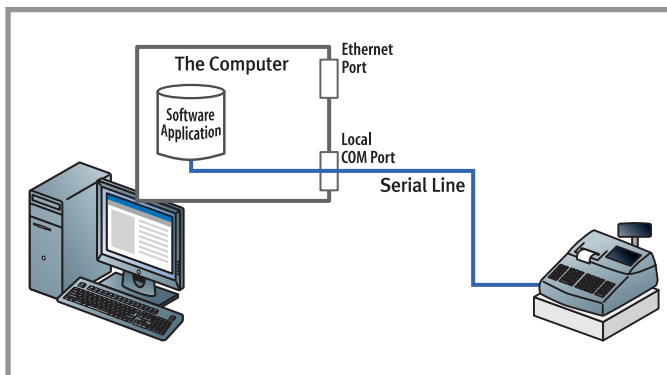
Com Port Redirector

- ▶ Control COM port-based equipment over the Net
- ▶ Monitor activity of redirected ports
- ▶ Filter on events
- ▶ Monitor, transmit and receive data
- ▶ Watch signal line control and transition
- ▶ Create event logs

Enable COM Port-based applications to communicate over a network to equipment around the Globe

Serial-based communication is used almost everywhere to access and control devices.

Equipment ranging from POS bar code scanners, to medical equipment, to surveillance cameras, to RFID readers typically use COM Port-based application control software.

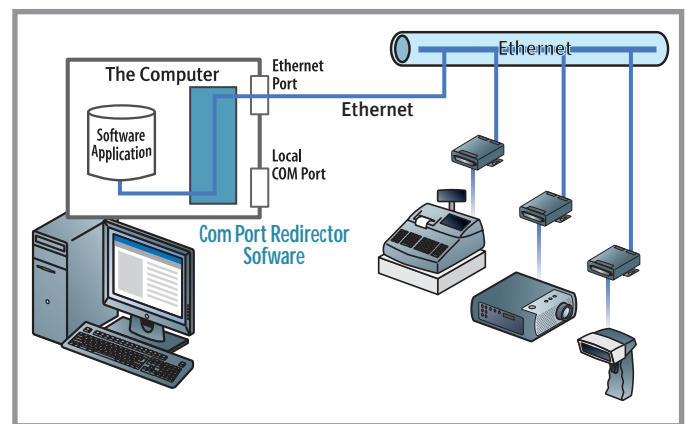


As long as the attached device is within the limited distance reach of the PC, this works great. But, the moment the device is placed on an Ethernet network and direct serial connection is broken, the ability of the application software to communicate with the device is lost. That's where Com Port Redirector comes in.

Mapping COM Port-based Serial Applications Over Ethernet

Com Port Redirector (CPR) is software that maps 'virtual COM' ports on a PC platform. It redirects application data destined to an attached device via the PC's local serial

(COM) port. Rather than going out the local port, the data is transmitted across the Ethernet network using TCP/IP. A device server attached to the network receives the data and transfers it from its own serial port to the attached equipment.



Conversely, data sent from the networked equipment to the serial port of the device server is transmitted back to the application software on the PC via Ethernet. Com Port Redirector receives the data and presents it to the control application as if it came from a COM port via a local serial connection.

Com Port Redirector (CPR) v4 and TruPort® Technology

The fourth generation of Com Port Redirector has been completely redesigned. It extends remote device management and control via Ethernet to a wider range of applications, such as those that are extremely timing sensitive or require complete serial line control. CPR v4 simplifies the process of creating and mapping virtual



COM ports, while increasing the number of virtual COM ports that can be created to 255. All can be used simultaneously by the applications software. Designed with OEM customers in mind, CPR v4 is easily integrated into applications and includes built-in monitoring and diagnostics to simplify troubleshooting.

TruPort® Technology combines the RFC2217 Com Port control protocol with Lantronix device server discovery and data handling technology, making a true end-to-end communications solution. Combined with Lantronix device servers, CPR v4 enables applications to see and change the baud rate, character size, stop bit, parity and line control communication properties, providing full control of remote serial ports. In addition to serial interface control, TruPort also includes remote buffer monitoring and control of Lantronix device servers. This is critical for sensitive applications requiring special data handling. Quick and easy setup is accomplished using the automatic device server discovery feature, which automatically detects, locates and adds Lantronix device servers into the CPR v4 management module, simplifying configuration.

CPR v4 runs on the following Microsoft Windows Operating Systems: Windows XP, Windows 2000 and Windows 2003 Server. Windows 2003 Terminal Services is also supported:

- Windows Terminal Services allows administrators to install, configure, manage and maintain applications centrally on a few servers. This saves time and is much easier than deploying applications on hundreds or thousands of desktop machines at different sites across an enterprise.
- CPR v4 enhances Windows Terminal Services by providing true multi-user, thin-client support, allowing these environments to leverage existing non-networked applications with Lantronix device server technology.

Support for OEMs

With a complete API available, Com Port Redirector's design enables OEMs to easily embed it into their applications.

System Requirements

Computer	IBM or compatible Pentium III 500 MHz or higher
Operating System	Windows XP, Windows 2000 and Windows 2003 Server
Memory	64 MB RAM (128 MB RAM recommended)
Hard Disk Space	10 MB



Com Port Redirector Features

Com Port List

Com Ports	Com Port List	General Tests
All Com Ports (5)	Com 1 (Inaccessible)	
Com 1 - 7	Com 2 (Inaccessible)	
Com 1 (Inaccessible)	Com 5	172.18.23.197 10001 Idle
Com 2 (Inaccessible)	Com 6	172.18.11.190 10001 Idle
Com 5	Com 7	172.18.25.112 10001 Idle
Com 6		
Com 7		

IP Address	TCP Port	Device Name	Port Name	HW Address	ID	Product
172.18.25.105 (1)	10001			00:20:4A:00:A1:74	B1	DS1100
172.18.18.204 (1)	Unknown			00:04:23:84:10:02	H1	Unknown
172.18.18.200 (1)	Unknown			00:08:0C:48:79:80	H1	Unknown
172.18.100.23 (1)	Unknown			00:20:4A:00:59:5A	A3	Unknown
172.18.23.41 (1)	Unknown			00:20:4A:55:66:77	A2	DS4100
172.18.100.2 (1)	Unknown			00:80:A3:89:22:11	B4	SLC08
172.18.19.50 (1)	Unknown			00:30:31:FF:FF:42	F7	SLC48
172.18.0.107 (1)	Unknown			00:30:31:FF:FF:54	F6	SLC32
172.18.23.110 (1)	Unknown			00:80:A3:89:00:87	B5	SLC16
172.18.19.50 (1)	Unknown			00:80:A3:89:15:C9	F5	SLC16
172.18.18.60 (1)	Unknown			00:80:A3:89:04:23	E5	SLC16
172.18.25.190 (1)	Unknown			00:20:4A:88:07:9C	A1	DS9C AB
172.18.23.70 (1)	10001			00:20:4A:86:12:85	F05	DS9C-G3
172.18.11.188 (1)	10001			00:20:4A:64:00:FE	91	DS9-10/Combo 8.X
172.18.11.189 (1)	10001			00:20:4A:11:80:24	3D	DS9100/DS9988 DS
172.18.17.180 (1)	10001			00:20:4A:54:07:F4	31	DS9-10/Combo 8.X
172.18.0.101 (1)	Unknown			00:20:4A:52:08:08	30	DS9-10/Combo 4.X
172.18.25.222 (1)	10001			00:20:4A:89:79:FD	W6	DS9C BG
172.18.25.222 (2)	10002			00:20:4A:89:79:FD	W6	DS9C BG

Add or Remove Com Ports

Com Ports

<input type="checkbox"/> Com1	<input type="checkbox"/> Com21	<input type="checkbox"/> Com41	<input type="checkbox"/> Com61	<input type="checkbox"/> Com81	<input type="checkbox"/> Com101	<input type="checkbox"/> Com121
<input checked="" type="checkbox"/> Com2	<input type="checkbox"/> Com22	<input type="checkbox"/> Com42	<input type="checkbox"/> Com62	<input type="checkbox"/> Com82	<input type="checkbox"/> Com102	<input type="checkbox"/> Com122
<input type="checkbox"/> Com3	<input type="checkbox"/> Com23	<input type="checkbox"/> Com43	<input type="checkbox"/> Com63	<input type="checkbox"/> Com83	<input type="checkbox"/> Com103	<input type="checkbox"/> Com123
<input type="checkbox"/> Com4	<input type="checkbox"/> Com24	<input type="checkbox"/> Com44	<input type="checkbox"/> Com64	<input type="checkbox"/> Com84	<input type="checkbox"/> Com104	<input type="checkbox"/> Com124
<input checked="" type="checkbox"/> Com5	<input type="checkbox"/> Com25	<input type="checkbox"/> Com45	<input type="checkbox"/> Com65	<input type="checkbox"/> Com85	<input type="checkbox"/> Com105	<input type="checkbox"/> Com125
<input checked="" type="checkbox"/> Com6	<input type="checkbox"/> Com26	<input type="checkbox"/> Com46	<input type="checkbox"/> Com66	<input type="checkbox"/> Com86	<input type="checkbox"/> Com106	<input type="checkbox"/> Com126
<input checked="" type="checkbox"/> Com7	<input type="checkbox"/> Com27	<input type="checkbox"/> Com47	<input type="checkbox"/> Com67	<input type="checkbox"/> Com87	<input type="checkbox"/> Com107	<input type="checkbox"/> Com127
<input type="checkbox"/> Com8	<input type="checkbox"/> Com28	<input type="checkbox"/> Com48	<input type="checkbox"/> Com68	<input type="checkbox"/> Com88	<input type="checkbox"/> Com108	<input type="checkbox"/> Com128
<input type="checkbox"/> Com9	<input type="checkbox"/> Com29	<input type="checkbox"/> Com49	<input type="checkbox"/> Com69	<input type="checkbox"/> Com89	<input type="checkbox"/> Com109	<input type="checkbox"/> Com129
<input type="checkbox"/> Com10	<input type="checkbox"/> Com30	<input type="checkbox"/> Com50	<input type="checkbox"/> Com70	<input type="checkbox"/> Com90	<input type="checkbox"/> Com110	<input type="checkbox"/> Com130
<input type="checkbox"/> Com11	<input type="checkbox"/> Com31	<input type="checkbox"/> Com51	<input type="checkbox"/> Com71	<input type="checkbox"/> Com91	<input type="checkbox"/> Com111	<input type="checkbox"/> Com131
<input type="checkbox"/> Com12	<input type="checkbox"/> Com32	<input type="checkbox"/> Com52	<input type="checkbox"/> Com72	<input type="checkbox"/> Com92	<input type="checkbox"/> Com112	<input type="checkbox"/> Com132
<input type="checkbox"/> Com13	<input type="checkbox"/> Com33	<input type="checkbox"/> Com53	<input type="checkbox"/> Com73	<input type="checkbox"/> Com93	<input type="checkbox"/> Com113	<input type="checkbox"/> Com133
<input type="checkbox"/> Com14	<input type="checkbox"/> Com34	<input type="checkbox"/> Com54	<input type="checkbox"/> Com74	<input type="checkbox"/> Com94	<input type="checkbox"/> Com114	<input type="checkbox"/> Com134
<input type="checkbox"/> Com15	<input type="checkbox"/> Com35	<input type="checkbox"/> Com55	<input type="checkbox"/> Com75	<input type="checkbox"/> Com95	<input type="checkbox"/> Com115	<input type="checkbox"/> Com135
<input type="checkbox"/> Com16	<input type="checkbox"/> Com36	<input type="checkbox"/> Com56	<input type="checkbox"/> Com76	<input type="checkbox"/> Com96	<input type="checkbox"/> Com116	<input type="checkbox"/> Com136
<input type="checkbox"/> Com17	<input type="checkbox"/> Com37	<input type="checkbox"/> Com57	<input type="checkbox"/> Com77	<input type="checkbox"/> Com97	<input type="checkbox"/> Com117	<input type="checkbox"/> Com137
<input type="checkbox"/> Com18	<input type="checkbox"/> Com38	<input type="checkbox"/> Com58	<input type="checkbox"/> Com78	<input type="checkbox"/> Com98	<input type="checkbox"/> Com118	<input type="checkbox"/> Com138
<input type="checkbox"/> Com19	<input type="checkbox"/> Com39	<input type="checkbox"/> Com59	<input type="checkbox"/> Com79	<input type="checkbox"/> Com99	<input type="checkbox"/> Com119	<input type="checkbox"/> Com139
<input type="checkbox"/> Com20	<input type="checkbox"/> Com40	<input type="checkbox"/> Com60	<input type="checkbox"/> Com80	<input type="checkbox"/> Com100	<input type="checkbox"/> Com120	<input type="checkbox"/> Com140

OK Cancel Check (Range) 1 to 256 Uncheck (Range) 1 to 256 Select All Select None

Com Port Settings

CPR Manager

File Com Port Device Tools Help

Com Ports

Settings: Com 5 Tests

Com 5

Windows Port Name: Lantronix CPR Port [COM5]
 Windows Device Name: \\Device\NPF{...}
 Windows Service Name: CPR5
 Status: Idle

Reset to Defaults Cancel Edits

Timeout Reconnect 0 Reconnect Limit (0 = forever)
 Wait on Write 7 Connection Timeout (in seconds)

Use RFC 2217

DTR: Tie DTR to DCD. DSR always active

Tx Empty: CPR Transmit Buffer Empty

Service	Host	TCP Port
1	172.18.23.197	10001
2	172.18.14.32	10001
3		
4		
5		
6		
7		
8		

General RS232 Tests

CPR Manager

File Com Port Device Tools Help

Com Ports

Com Port List General Tests

RS232

Serial Port Settings

Baud Rate: 9600 Data: 8 bits Parity: None Stop: 1 bit Flow Control: None

NOTE: Only Com Ports that support serial port settings will be affected by serial port changes and RTS-DTR changes. For example, modems and CPR ports that have RFC2217 enabled.

Com Port COM1

DCD CTS DSR RTS DTR

High (H) Low (L)

Com Port COM2

DCD CTS DSR RTS DTR

High (H) Low (L)

Rs-Data Rs-CTS Rs-DTR Rs-RTS

Com Port COM2

DCD CTS DSR RTS DTR

High (H) Low (L)

Rs-Data Rs-CTS Rs-DTR Rs-RTS